



# AN-OP1

**397 Route 281 – P.O. Box 1175**  
**Tully, New York 13159-1175**  
**Phone: 315 696-6676**  
**Fax: 315 696 9923**  
**Email: sales@acipower.com**  
**www.acipower.com**

## APPLICATION NOTE

03/30/10

### DRIVING OPTREX PANELS WITH ACI I-LITE LED DRIVERS

1. Identify the Optrex Panel P/N to be driven, from Table 1 below.
2. Use the ACI I-Lite LED Driver specified in Table 1.
3. Using a small flat-head screw driver, set the position of the S1 Switch on the LED Driver, per the setting shown in Table 1 (Refer to Figure 1 on page 2 for illustration of S1 Switch positions).
4. Connect the LED Driver to the Display per the connection diagram specified in Table 1. Verify if an output cable assembly is required, to connect the driver to the display, per Table 1.
5. Use Input Cable Assembly P/N 27-A0031, to interface with CON1 of LED Driver.
6. Output cable assembly with 10 inch flying leads available (P/N 27-R0070).

Optrex Panel P/N	# of Channels	Vf (V)	Current per Channel (mA)	Switch Setting (S1)	ACI I-Lite LED Driver P/N	Output Cable Assembly (to connect driver to display)	Connection Diagram
T-55373D121J-LW-A-AAN	2	32.8	120	A	ACI-A038040-1855	(1) 27-A0060	Figure 2, Pg3
T-55374D121J-LW-A-AAN	2	32.8	120	A	ACI-A038040-1855	(1) 27-A0060	Figure 2, Pg3
T-55533D104J-LW-A-AAN	2	27	120	A	ACI-A038040-1855	(1) 27-A0060	Figure 2, Pg3
T-55465D065J-LW-A-AAN	2	23.7	90	B	ACI-A038040-1855	(1) 27-A0060	Figure 2, Pg3
T-55466D084J-LW-A-AAN	2	38	70	C	ACI-A038040-1855	(1) 27-A0060	Figure 2, Pg3
T-55467D084J-LW-A-AAN	2	38	70	C	ACI-A038040-1855	(1) 27-A0060	Figure 2, Pg3
T-55265GD057J-LW-AAN	3	13.2	60	B	ACI-A038040-1855	None Required	Figure 3, Pg3
T-55265GD057J-LW-ABN	3	13.2	60	B	ACI-A038040-1855	None Required	Figure 3, Pg3
T-55265GD057J-LW-ACN	3	13.2	60	B	ACI-A038040-1855	None Required	Figure 3, Pg3
T-51750GD065J-LW-ANN	4	32	35	C	ACI-A038040-1855	None Required	Figure 4, Pg3
T-51750GD065J-LW-AON	4	32	35	C	ACI-A038040-1855	None Required	Figure 4, Pg3
T-51750GD065J-LW-AQN	4	32	35	C	ACI-A038040-1855	None Required	Figure 4, Pg3
T-55226D043J-LW-A-AAN	2	16	15	B	ACI-A038010-1885	*	Figure 5, Pg4
			20	C			
T-55382GD050JU-LW-A-AAN	2	20	15	B	ACI-A038010-1885	*	Figure 6, Pg5
			20	C			
T-55423GD050J-LW-A-ABN	2	20	15	B	ACI-A038010-1885	*	Figure 6, Pg5
			20	C			
AA050MG01 Preliminary	4	24	15	A	ACI-A038010-1885	*	Figure 7, Pg6
			20	D			

\* Contact ACI for availability.

**TABLE 1. – Driving Optrex Panels**

397 Route 281 – P.O. Box 1175  
Tully, New York 13159-1175  
Phone: 315 696-6676  
Fax: 315 696 9923  
Email: sales@acipower.com  
www.acipower.com

APPLICATION NOTE

03/30/10

DRIVING OPTREX PANELS WITH ACI I-LITE LED DRIVERS

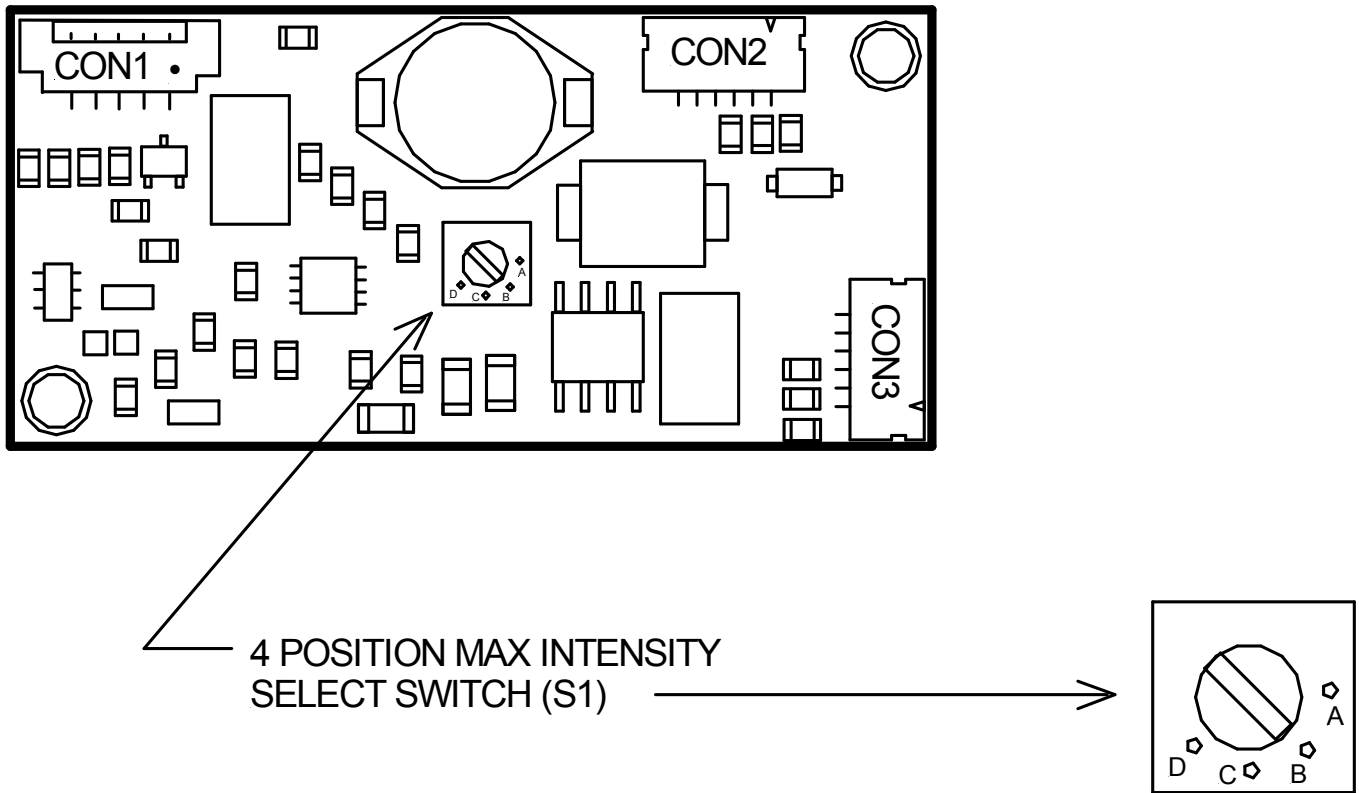


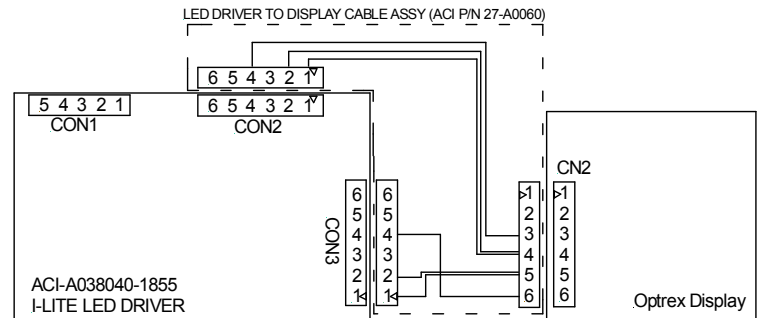
Figure 1. – Illustration of S1 Switch Positions

397 Route 281 – P.O. Box 1175  
Tully, New York 13159-1175  
Phone: 315 696-6676  
Fax: 315 696 9923  
Email: sales@acipower.com  
www.acipower.com

APPLICATION NOTE

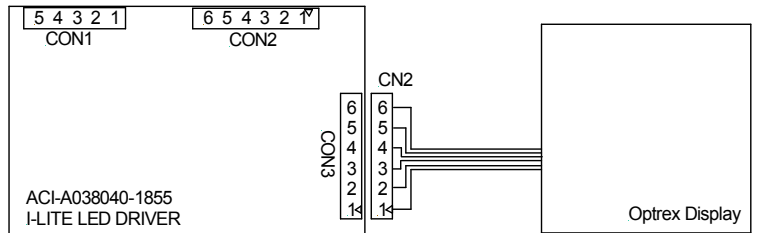
03/30/10

DRIVING OPTREX PANELS WITH ACI I-LITE LED DRIVERS



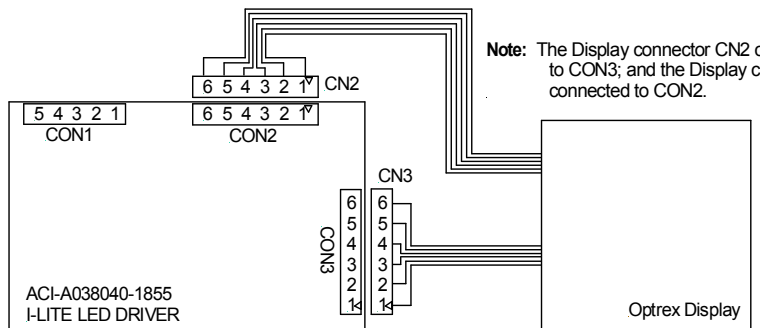
**Note:** The LED Driver to Display cable assy (ACI P/N 27-A0060) has two of its connectors labeled "LED DRIVER SIDE" which are to be connected to the LED Driver connectors CON2 and CON3.

Figure 2. - Connecting LED Driver to Optrex Display



**Note:** The Display connector CN2 is shown connected to CON3 of the LED Driver, however, it can be connected to CON3 or CON2 of the LED Driver.

Figure 3. - Connecting LED Driver to Optrex Display



**Note:** The Display connector CN2 can also be connected to CON3; and the Display connector CN3 can be connected to CON2.

Figure 4. - Connecting LED Driver to Optrex Display

DRIVING OPTREX PANELS WITH ACI I-LITE LED DRIVERS

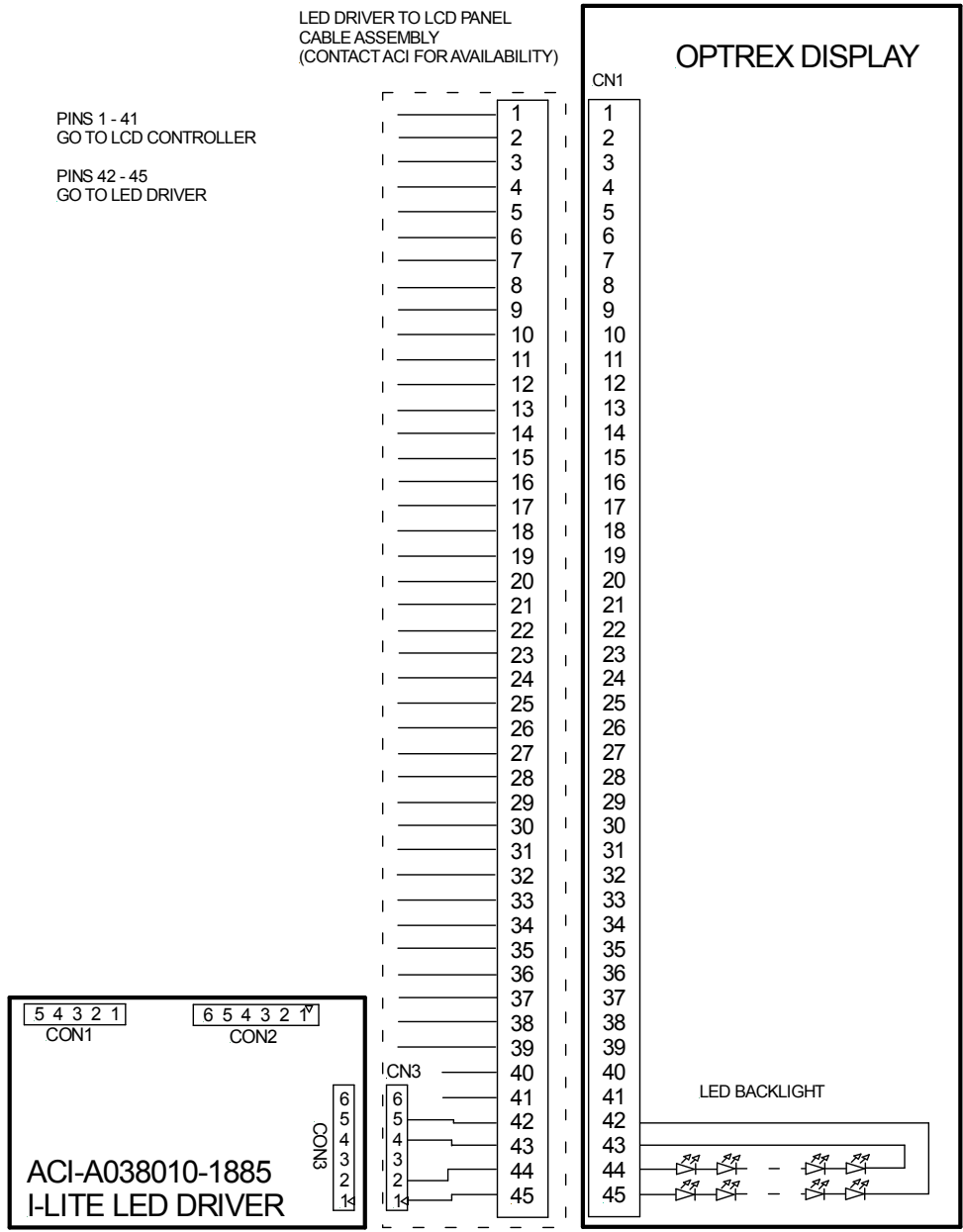


FIGURE 5. - CONNECTING LED DRIVER TO OPTREX DISPLAY

397 Route 281 – P.O. Box 1175  
Tully, New York 13159-1175  
Phone: 315 696-6676  
Fax: 315 696 9923  
Email: sales@acipower.com  
www.acipower.com

## APPLICATION NOTE

03/30/10

### DRIVING OPTREX PANELS WITH ACI I-LITE LED DRIVERS

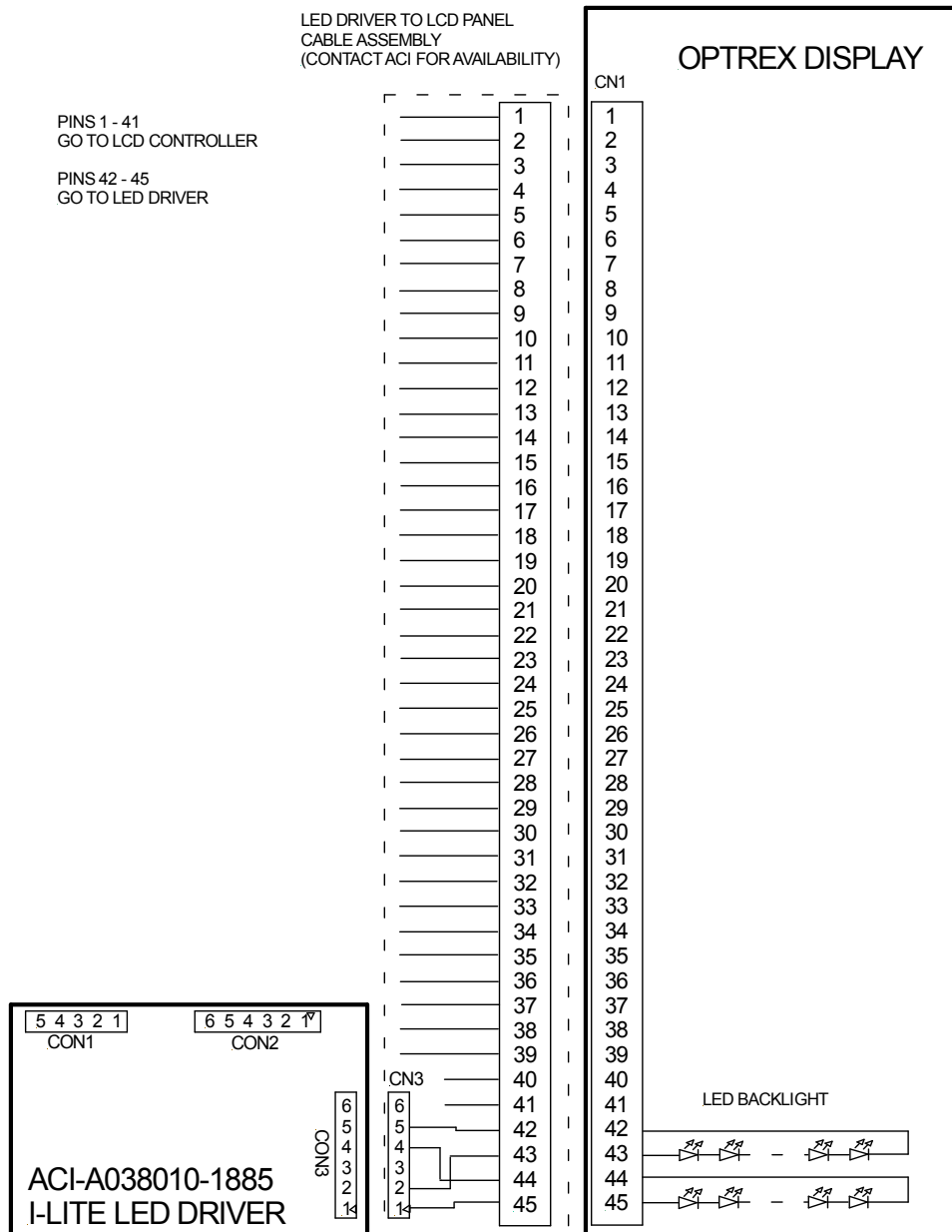


FIGURE 6. - CONNECTING LED DRIVER TO OPTREX DISPLAY

## APPLICATION NOTE

03/30/10

### DRIVING OPTREX PANELS WITH ACI I-LITE LED DRIVERS

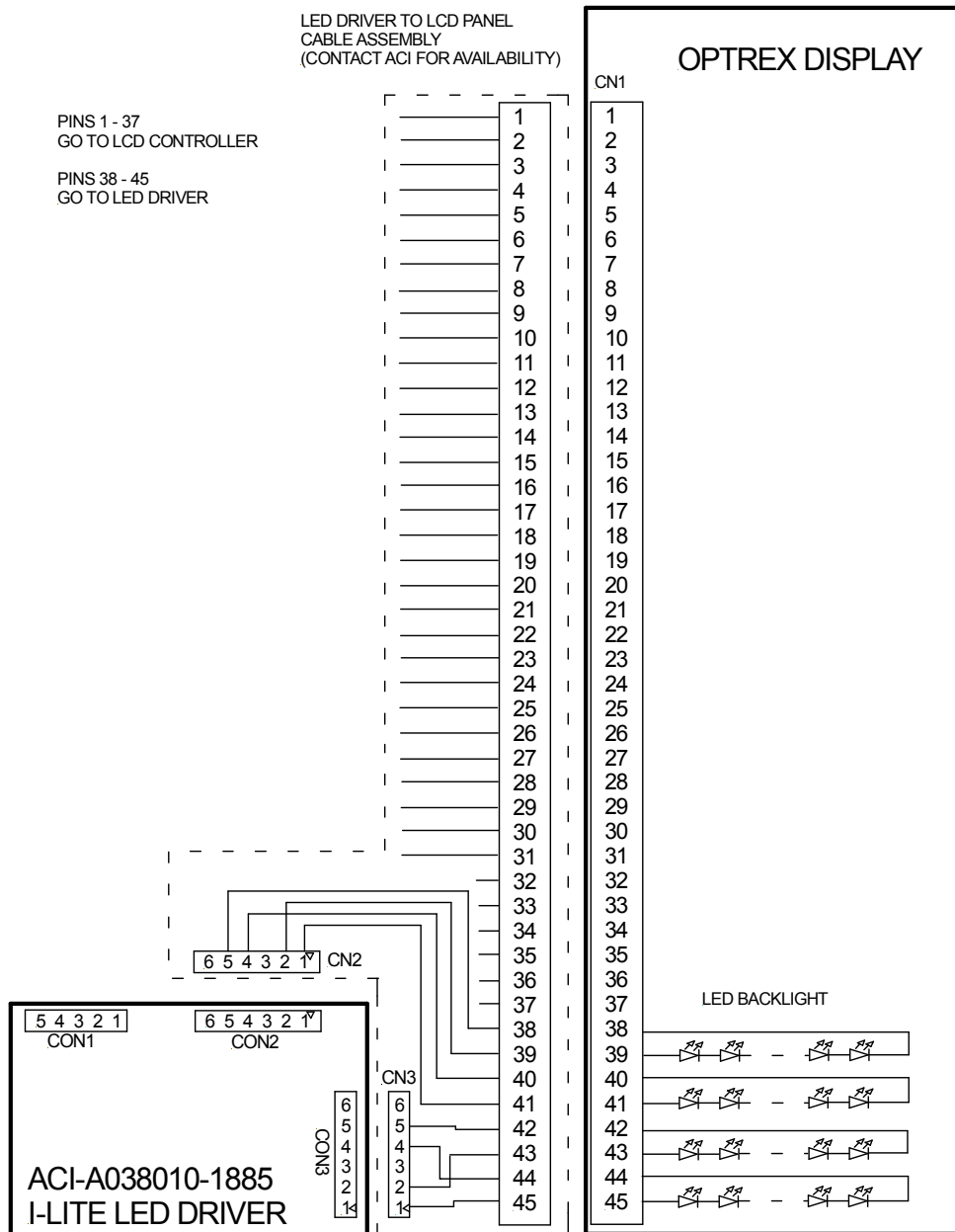


FIGURE 7. - CONNECTING LED DRIVER TO OPTREX DISPLAY